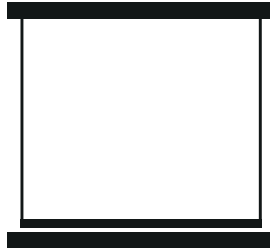


# User Manual

## Electric Motorized Projection Screen

No.50454, No.50455, No.50456, No.50454S, No.50455S,  
No.50456S, No.50440, No.50441, No.50442, No.50443



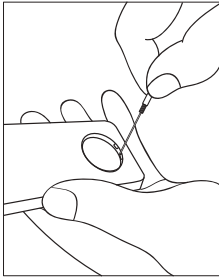
Reminder: Please read this manual carefully before use  
and follow the instructions to operate properly.

(Reserved for future use)

## Care and maintenance

---

1. Keep the screen away from doors, windows, and fans to avoid damage caused by blowing air.
2. Keep the screen away from direct sunlight or rain to slow aging.
3. While expanding the screen, do not pull forcefully, try to exert even force, retract the screen in a vertical position.
4. Do not touch the surface of the screen with sharp objects to avoid damage to the screen.
5. When not in use, retract the screen into its shell to avoid dust accumulation.
6. Stains on the surface of the screen should be wiped clean gently with a cotton cloth dipped in neutral detergent or water. Only use or retract the screen after drying.

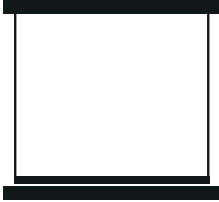


**Note:** If the battery level is low, please replace the batteries. We recommend that you use a pointy tool (such as a small, slotted screwdriver) to pry open rear cover of the remote control, then remove the cell batteries from the white holder at the bottom and replace them with new ones. (As shown on the left)

# 1 Packing list

---

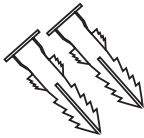
Please check if the product is intact after unpacking and verify that all the accessories have been received. If any items are missing, please contact your dealer.



Electric motorized screen



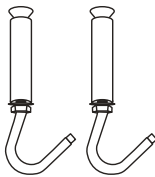
Remote controller (x1)



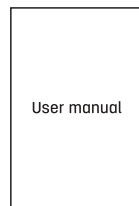
Expansion anchor (x2)



Self-tapping screw (x2)



Expansion hook screw (x2)



User manual  
(including warranty card and quality certificate)

Note: This diagram is for reference only, please take the actual product as standard.

## 2. Instructions for Use

---

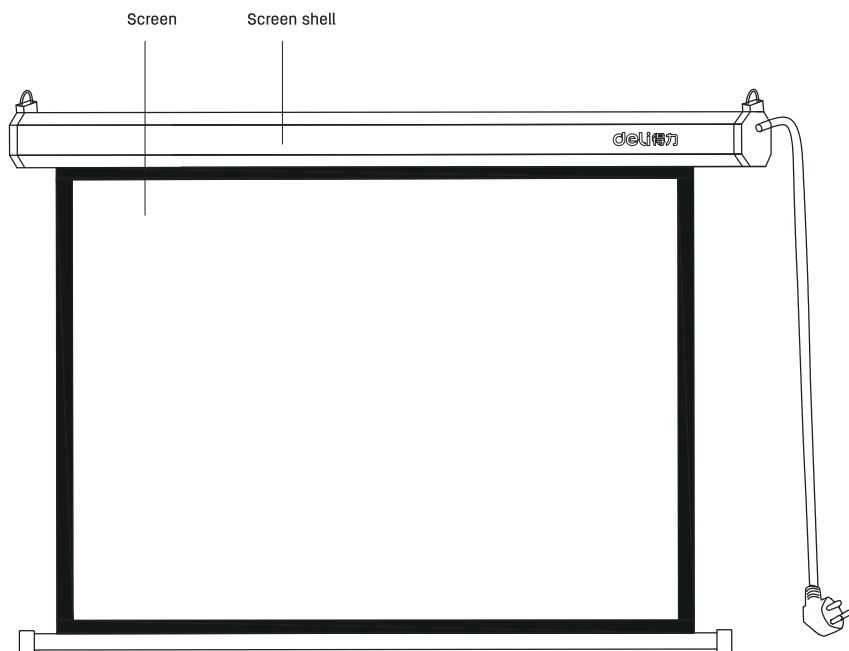
Connect the 220V AC power supply

Lower the screen: Press the "∨" button on the switch

Retract the screen: Press the "∧" button on the switch

Stop retracting/lowering: Press the "—" button on the switch

When fully lowered or retracted, the screen will automatically stop.



### Reminder:

The motorized screen should not be operated continuously for more than 5 minutes at a time, or the motor will overheat and possibly suffer damage. If operated continuously for more than 5 minutes, allow 5 minutes of rest before using the screen again.

The projected image may suffer from distortion when using a short-focus or ultra-short-focus projection equipment.

### 3. Installation method

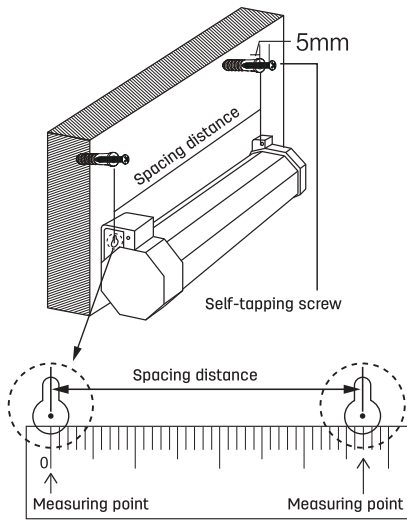
---

#### 1. Wall installation

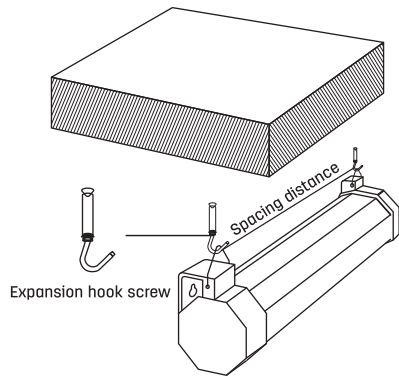
Measure the distance between the mounting holes. You may find two keyhole-shaped hanging rings at both ends of the casing. To hang the projection screen on a wall, drill holes with an electric drill ( $\Phi 8\text{mm}$  drill bit) at the appropriate positions on the wall, install the expansion anchors and screw in the self-tapping screws (leave a space of 5mm between the screw and the anchor), and then hang the screen.

#### 2. Ceiling installation

When ceiling installation is required, measure the distance between the hanging rings, drill holes in the appropriate positions on the ceiling with an electric drill ( $\Phi 8\text{mm}$  drill bit), install the expansion anchors and screw in the expansion hook screws and tighten the nuts, and then hang the screen by attaching the rings at both ends of the casing.



Wall installation



Ceiling installation

**Note:** The distance between drilled holes required to install the electric motorized projection screen should be determined by the actual measurement value. Please use metal expansion hook screws ( $\Phi 8\text{mm}$  drill bit) to mount on hard brick or concrete walls. To mount your screen on ceiling, please hire a professional installation team.

# Warranty Card

Dear customers:

Thank you for your purchase of our products. The interests of customers who purchase our products will be protected. For any malfunction due to product quality problems, please contact authorized local dealers or service centers with this receipt and the warranty card.

## Warranty terms:

1. For product failures occur under normal operating circumstances, free of charge repair service shall be provided by our company within one year commencing from date of purchase. (If factory repair service is needed, customer shall bear the freight for delivery of the returned product.)
2. Customers are required to present this warranty card and the original purchase invoice to our company upon request for warranty service. This warranty card shall be valid only after the following form is filled out in details and affixed with official seal of the dealer.
3. No free of charge repair service shall be provided in the event of any of the following circumstances:
  - (1) Expiration of the warranty period;
  - (2) Damages caused by improper use, maintenance or storage not in accordance with the requirements of the user manual;
  - (3) Failure or damage resulting from unauthorized disassembly, repair or modification;
  - (4) Failure or damage caused by force majeure.

This warranty card is being delivered with the product, one card for one product. Please keep this warranty card in proper condition for free warranty service. There is no replacement if lost.

Date of Purchase: MM/DD/YYYY